

# AEG-DSB-S211 / S216

## FINGERPRINT DIGITAL SAFE BOX

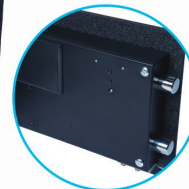


# AEG-DSB-S211 / AEG-DSB-S216

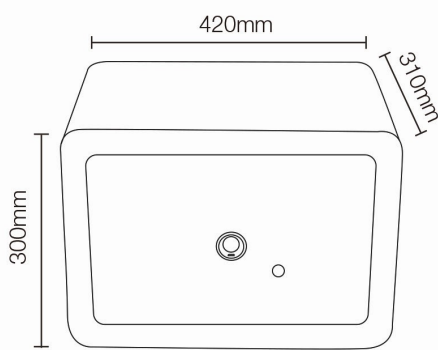
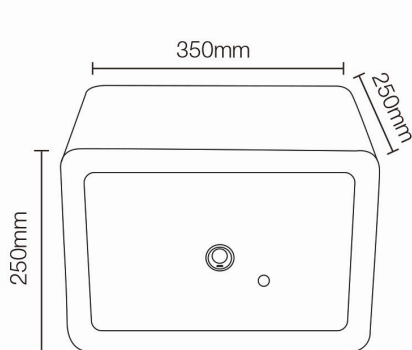
## FINGERPRINT DIGITAL SAFE BOX



AEG-DSB-S211/BLACK  
Unit Price **RM799**  
(1 Sets/pcs)



AEG-DSB-S216/BLACK  
Unit Price **RM999**  
(1 Sets/pcs)



20  
Fingerprint



Mechanical  
key

**Security Functions**  
Office | Home Safe

### PRODUCT SPECIFICATION

Product Model	AEG-DSB-S211
Box	Steel Plate 2.5 mm
Door	Steel plate 5 mm
Product External	350 (W) x 250 (D) x 250 (H)
Specifications Internal Dimensions	325 (W) x 215 (D) x 245 (H)
BOLT	2
Color	Black
Net Weight	11
Gross Weight	12
Quantity Partition	10
Board	1
Drawer	/
Lock	Fingerprint / Password / Key
Cube	0.03

Product Model	AEG-DSB-S216
Box	Steel Plate 2.5 mm
Door	Steel plate 5 mm
Product External	420 (W) x 310 (D) x 300 (H)
Specifications Internal Dimensions	415 (W) x 265 (D) x 295 (H)
BOLT	2
Color	Black
Net Weight	16
Gross Weight	17
Quantity Partition	10
Board	1
Drawer	/
Lock	Fingerprint / Password / Key
Cube	0.052