

AEG-DSB-L106 / L109
FINGERPRINT DIGITAL
SAFE BOX



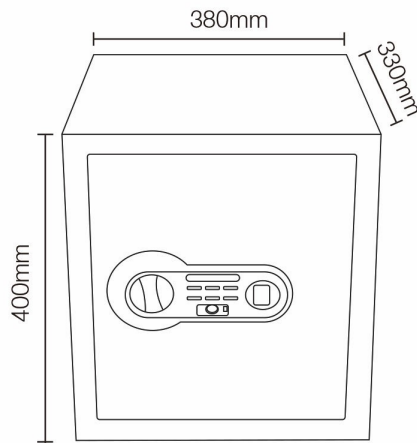
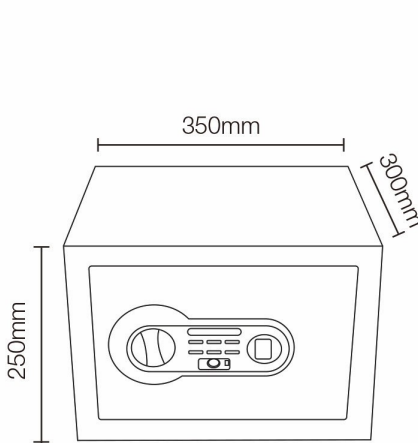
AEG-DSB-L106 / AEG-DSB-L109 FINGERPRINT DIGITAL SAFE BOX



AEG-DSB-L106/WHITE
Unit Price **RM549**
(1 Sets/pcs)



AEG-DSB-L109/WHITE
Unit Price **RM699**
(1 Sets/pcs)



120
Fingerprint



Pin Code



Mechanical
key

Security Functions

Office | Home Safe



Customised Access Combination

Memorised **120** Fingerprints
Smart Security Pin System
3-5 Digits

PRODUCT SPECIFICATION

Product Model	AEG-DSB-L106
Box	Steel Plate 1.5 mm
Door	Steel plate 2 mm
Product External	350 (W) x 300 (D) x 250 (H)
Specifications Internal Dimensions	347 (W) x 267 (D) x 247 (H)
BOLT	2
Color	White
Net Weight	5.5
Gross Weight	5.6
Quantity Partition	70
Board	/
Drawer	/
Lock	Fingerprint / Password / Key
Cube	0.039

Product Model	AEG-DSB-L109
Box	Steel Plate 1.5 mm
Door	Steel plate 2 mm
Product External	380 (W) x 330 (D) x 400 (H)
Specifications Internal Dimensions	377 (W) x 297 (D) x 397 (H)
BOLT	2
Color	White
Net Weight	8.5
Gross Weight	8.6
Quantity Partition	20
Board	1
Drawer	/
Lock	Fingerprint / Password / Key
Cube	0.069

All pictures shown are for illustration purpose. Actual product may vary due to product enhancement.