

AEG-DSB-FS140 / FS150
FIRE RESISTANT FINGERPRINT
DIGITAL SAFE BOX



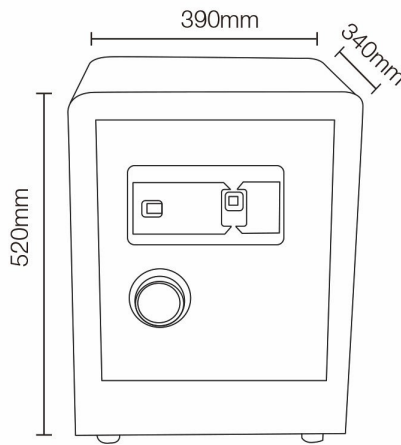
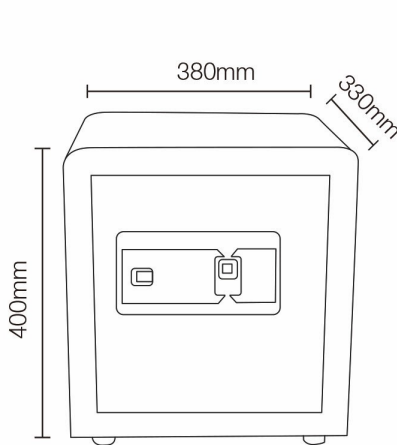
AEG-DSB-FS140 / AEG-DSB-FS150

FIRE RESISTANT FINGERPRINT DIGITAL SAFE BOX



AEG-DSB-FS140/BLACK
Unit Price **RM1599**
(1 Sets/pcs)

AEG-DSB-FS150/BLACK
Unit Price **RM1699**
(1 Sets/pcs)



25
Fingerprint



Pin Code



Mechanical
key

Security Functions

Fire Safe | Office | Home Safe

PRODUCT SPECIFICATION

Product Model	AEG-DSB-FS140
Box	Fire Resistant 30 mm
Door	Steel Plate 10 mm
Product External	380 (W) x 330 (D) x 400 (H)
Specifications Internal Dimensions	300 (W) x 230 (D) x 320 (H)
BOLT	3
Color	Black
Net Weight	40
Gross Weight	42
Quantity Partition	10
Board	1
Drawer	/
Lock	Fingerprint / Password / Key
Cube	0.071

Product Model	AEG-DSB-FS150
Box	Fire Resistant 30 mm
Door	Steel Plate 10 mm
Product External	390 (W) x 340 (D) x 520 (H)
Specifications Internal Dimensions	310 (W) x 240 (D) x 240 (H)
BOLT	3
Color	Black
Net Weight	50
Gross Weight	52
Quantity Partition	10
Board	1
Drawer	1
Lock	Fingerprint / Password / Key
Cube	0.089

All pictures shown are for illustration purpose. Actual product may vary due to product enhancement.